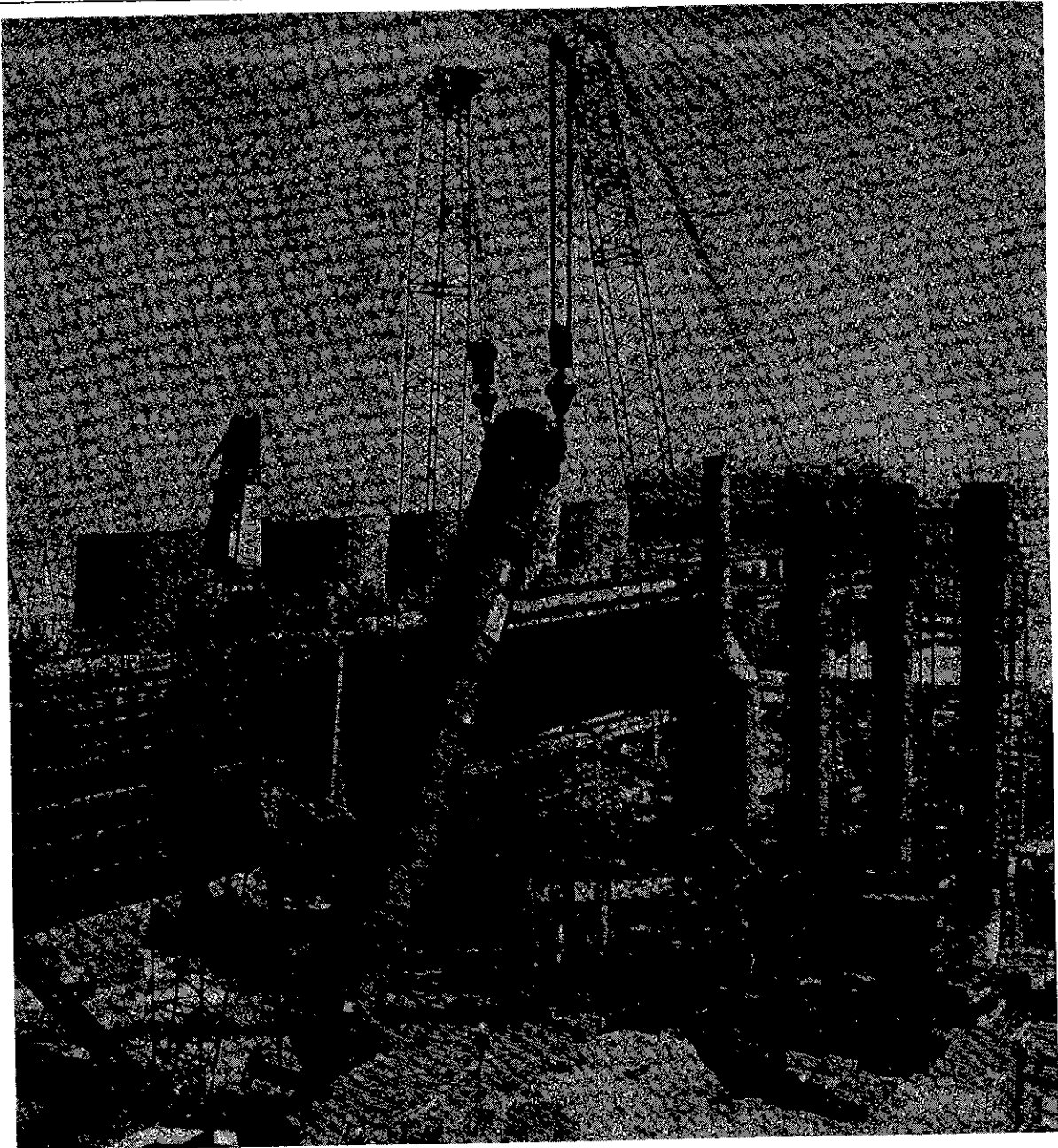
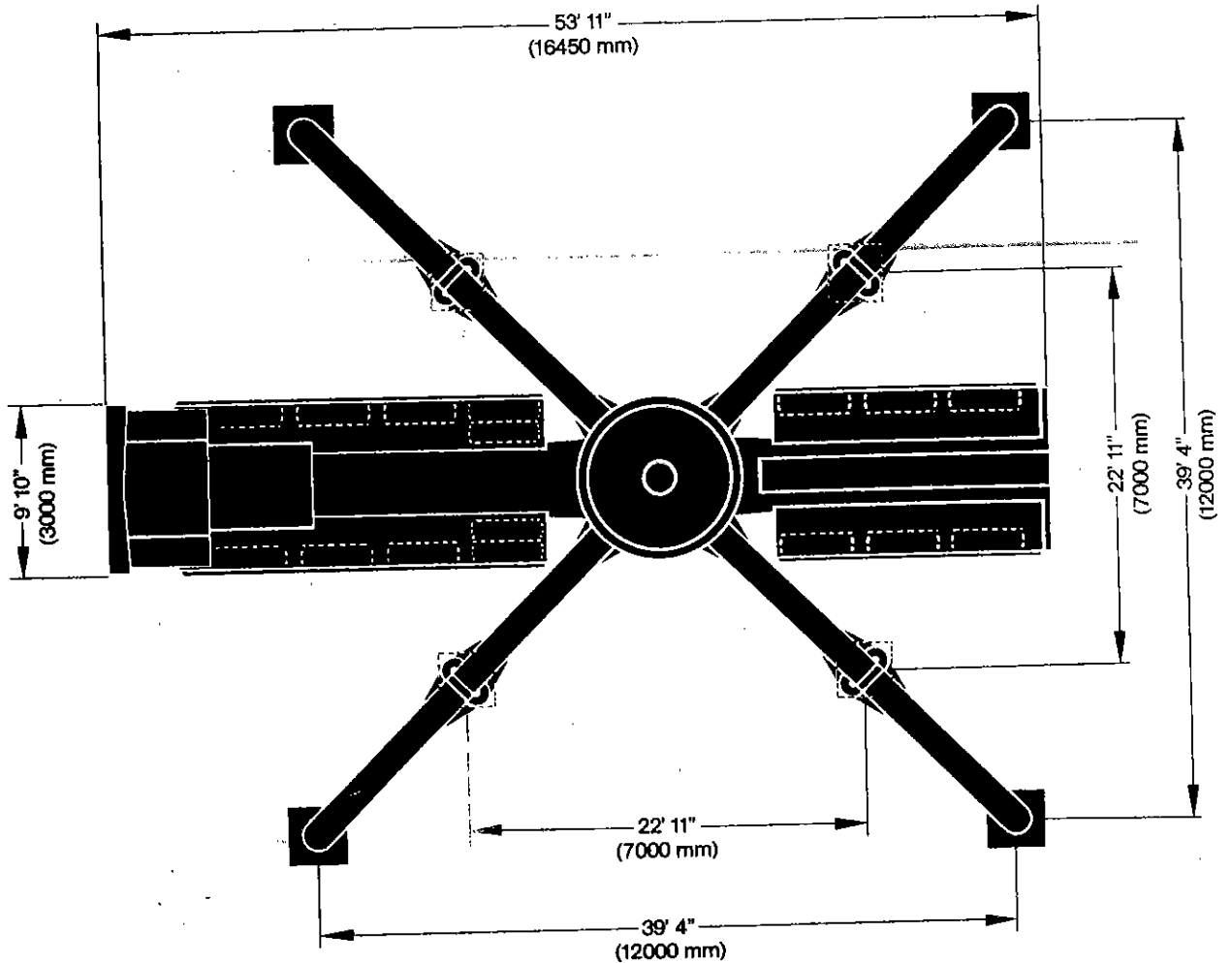
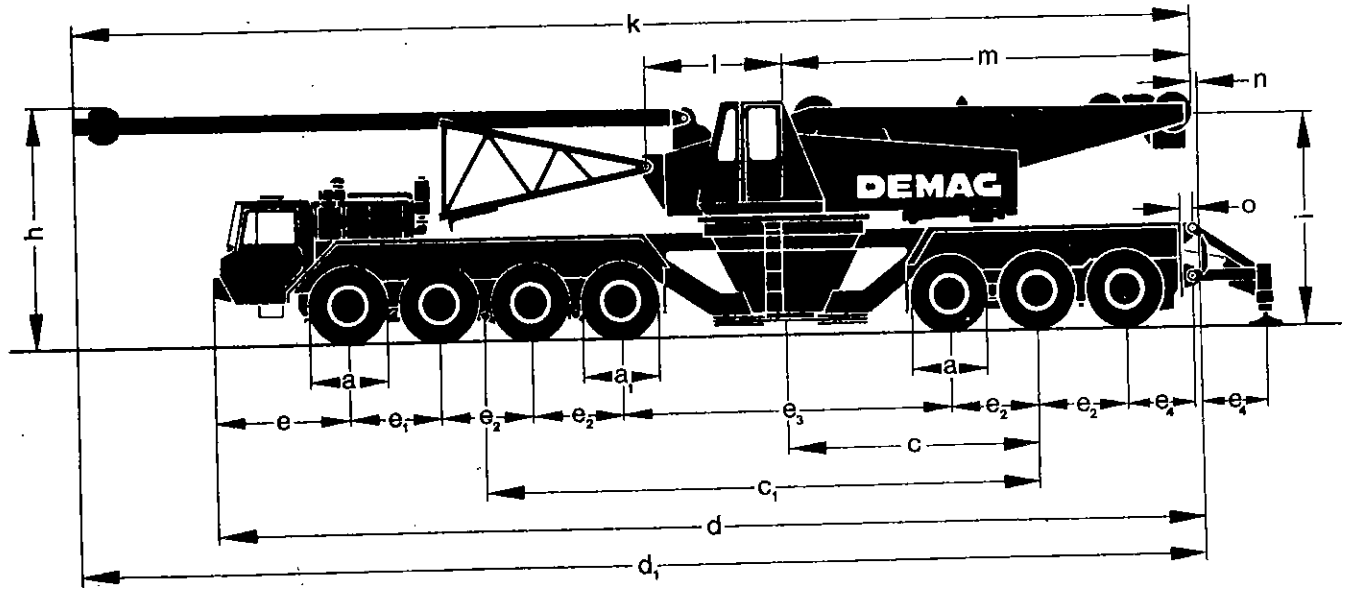
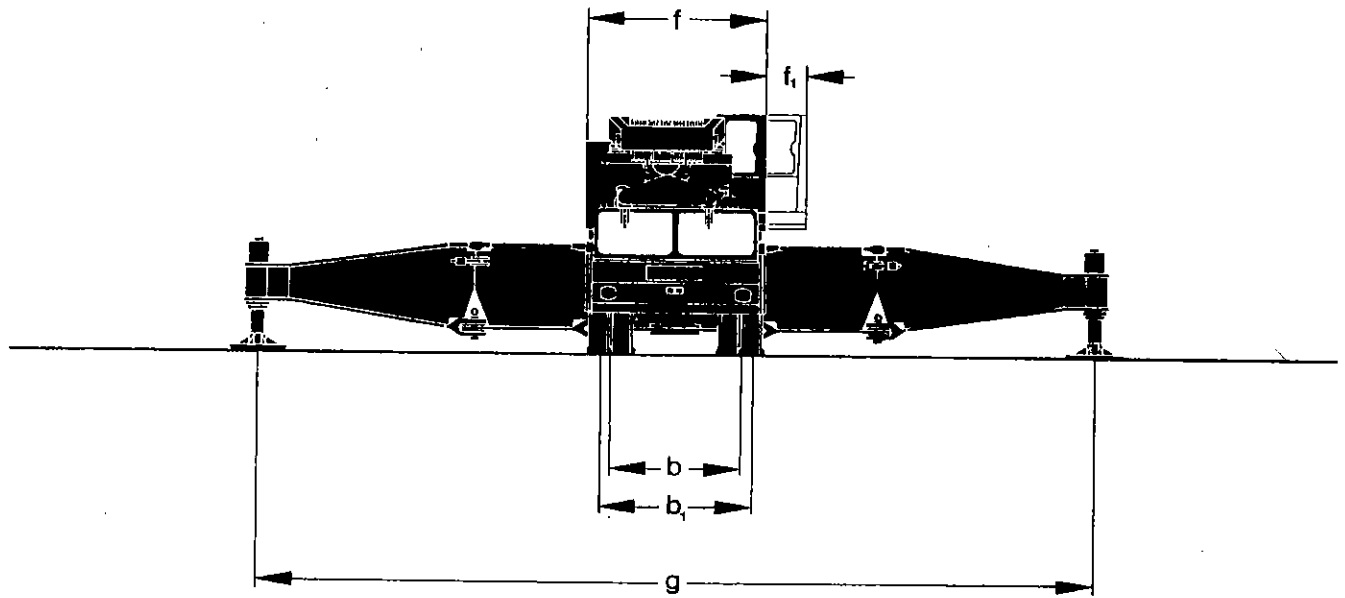

Lattice-Boom Crane TC 1200



DEMAG
Baumaschinen

Basic Machine



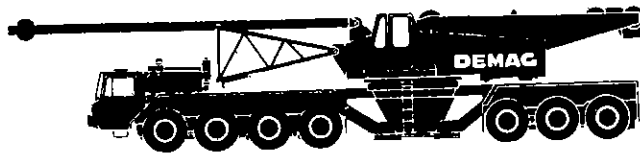


a	14.00 - 24, PR 22	d	54' 9" (16710 mm)	e ₄	3' (1150 mm)	k	61' 4" (18700 mm)
a ₁	12.00 - 24, PR 20	d ₁	62' 2" (18950 mm)	f	9' 10" (3000 mm)	l	7' 2" (2200 mm)
b	7' 1" (2170 mm*)	e	8' (2450 mm)	f ₁	2' 4" (700 mm)	m	22' (6710 mm)
b ₁	8' 5" (2503 mm)	e ₁	5' 3" (1600 mm)	g	39' 4" (12000 mm)	n	10" (250 mm)
c	13' 9" (4200 mm)	e ₂	4' 11" (1500 mm)	h	12' 11" (3950 mm)	o	6" (150 mm)
c ₁	30' (9150 mm)	e ₃	17' 8" (5400 mm)	i	11' 2" (3600 mm)		

* 4th Front Axle

Truck Carrier

Engine	KHD BF 12 L 413
System	12 cyl.-4 strokes
Output at 2500 RPM	310 kW (420 HP)
Cooling	air
Fuel-Tank Capacity	80 gal. (300 liters)
Transmission	12-Speed Main Transmission plus 2-Speed Transfer Case
Carrier	14 x 8
Suspension	
Front	1st and 2nd Axles: Leaf springs; 3rd and 4 th = Hydraulic suspension
Rear	1st and 2nd Axles = Walking Beams, 3rd = Hydraulic suspension
Outriggers	4 articulated dismountable outrigger beams with hydraulic jack legs

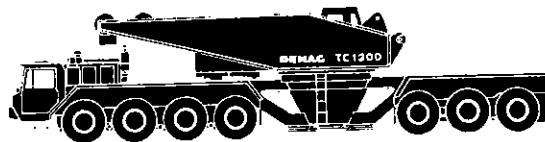


Axle Loads

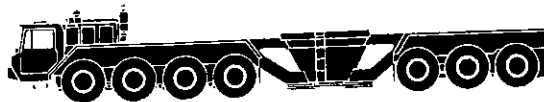
	1st front	2nd front	3rd front	4th front	1st rear	2nd rear	3rd rear	Total
	tons	tons	tons	tons	tons	tons	tons	tons
Crane in travel order without outriggers, basic boom, and mast gantry	10.4	10.4	13.2	13.2	12.5	12.5	13.2	85.4
	Loading of hydraulically sprung axles 13.2 tons							
	11.7	11.7	11.0	11.0	14.5	14.5	11.0	85.4
	Loading of hydraulically sprung axles 11.0 tons							

Change of road weight after removal of assemblies:

2nd Hoist Drum with Cable	-0.27	-0.27	-	-	-1.48	-1.48	-	-3.50
Jib-Boom Luffing Drum with Cable	-0.30	-0.30	-	-	-0.85	-0.85	-	-2.30
Aux. Hoist Cable	-0.18	-0.18	-	-	-1.00	-1.00	-	-2.36
Jib-Boom-Luffing Cable	-0.14	-0.14	-	-	-0.41	-0.41	-	-1.10
Main Hoist and Boom-Hoist Cables	-0.73	-0.73	-	-	-1.91	-1.91	-	-5.28
Basic Boom plus Mast Gantry	-2.64	-2.64	-	-	+0.14	+0.14	-	-5.00



11.5 11.5 11.0 11.0 7.7 7.7 11.0 71.4



8.0 8.0 5.5 5.5 5.9 5.9 5.5 44.3

Carrier Performance

Travel Speeds

High Range 3.9 ... 37.5 mph (6.3 ... 60.3 km/h) Low Range 2.7 ... 26.3 mph (4.4 ... 42.4 km/h)

Creeper Range (mechanical)

High Range 2.5 mph (4.1 km/h) Low Range 1.8 mph (2.9 km/h)

Lowest Speed at Maximum Torque 1.1 mph (1.8 km/h)

Gradeability

max. 30%

Superstructure

Engine	KHD F 10 L 413
Output at 2300 RPM	176 kW (240 HP)
Transmission	Axial-Piston Hydraulic Pumps
Drum Drive	Axial-Piston Hydraulic Motor and Planetary Drive
Swing Drive	Axial-Piston Hydraulic Motor and Planetary Drive
Control	hydraulique

Working Speeds

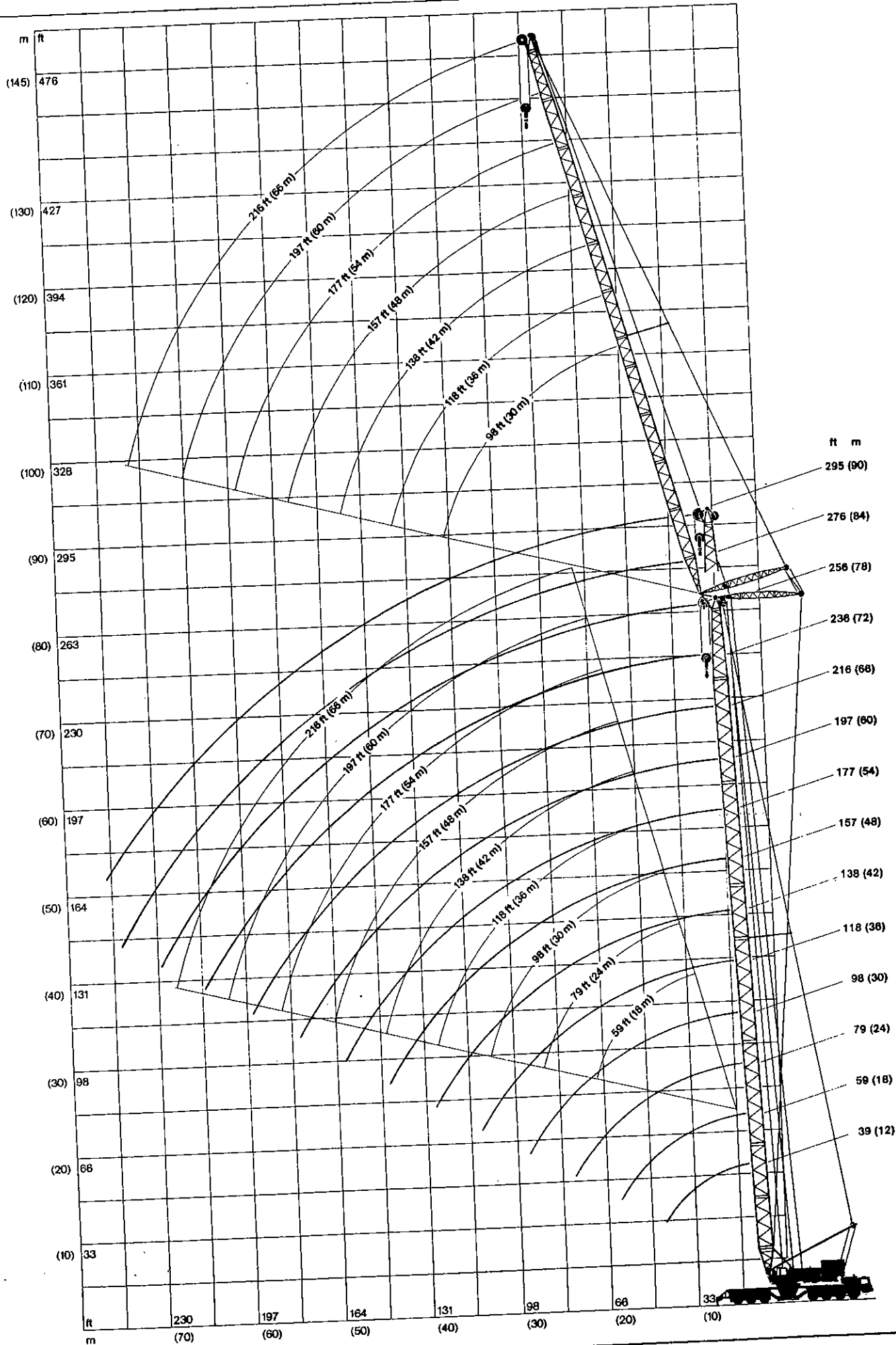
	Infinitely variable
Main Hoist	max. 295 ft./min. (max. 90 m/min.)
Aux. Hoist	max. 387 ft./min. (max. 118 m/min.)
Aux. Boom Hoist	max. 141 ft./min. (max. 43 m/min.)
Main Boom Hoist	max. 118 ft./min. (max. 36 m/min.)
Swing	1.4 RPM

Cables

Main Hoist: Rope Pull, Single Line	25.794 lb. (11700 kg) 85 % 22.928 lb. (10400 kg) 75 %	Aux. Hoist: Rope Pull, Single Line	18.298 lb. (8300 kg)
Length of Cables	2789 ft. (850 m)	Length of Cables	2460 ft. (750 m)
Dia. of Cables	1 ⁷ / ₆₄ " (28 mm)	Dia. of Cables	1 ⁷ / ₆₄ " (28 mm)
Main Boom Hoist Length of Cables	1558 ft. (475 m)	Aux. Boom Hoist Length of Cables	1148 ft. (370 m)
Dia. of Cables	1 ¹ / ₃₂ " (26 mm)	Dia. of Cables	1 ¹ / ₃₂ " (26 mm)

Boom

	Main Boom	Max. Allowable Lifting Load	Main Boom + Jib Boom
Std. Hammer-Head Type	39—295 ft. (12—90 m)	308 tons (280 t) 85 % 275 tons (250 t) 75 %	—
Offset Jib-Folding Boom-Point	39—295 ft. (12—90 m)	44 tons (40 t)	256 + 216 ft. (78 + 66 m)



Lifting Capacities on Main Boom, with Outriggers, over Ends and Sides (360°) (Std. Hammer Head)

Boom	Radius		85%	
	ft	m	tons	t
39 ft (12 m)	20	(6)	308	280
	23	(7)	275	250
	26	(8)	253	226
	30	(9)	215	199
	33	(10)	193	177
	36	(11)	176.5	160
	40	(12)	156	144
59 ft (18 m)	20	(6)	308	280
	23	(7)	275	250
	26	(8)	252	225
	30	(9)	213.5	197
	33	(10)	192	176
	36	(11)	174.2	158
	40	(12)	153.5	142
79 ft (24 m)	46	(14)	131	119
	53	(16)	112	103
	59	(18)	99	90.2
	23	(7)	275	250
	26	(8)	251.5	224
	30	(9)	212.5	196
	33	(10)	191	175
98 ft (30 m)	36	(11)	172	156
	40	(12)	153	141
	46	(14)	130	118
	53	(16)	110	101
	59	(18)	98	88.8
	66	(20)	88.5	78.9
	72	(22)	78	70.9
118 ft (36 m)	23	(7)	275	250
	26	(8)	249	223
	30	(9)	211	195
	33	(10)	189	174
	36	(11)	171	155
	40	(12)	152	140
	46	(14)	129	117
138 ft (42 m)	53	(16)	108.5	100
	59	(18)	96.5	87.5
	66	(20)	84.5	77.6
	72	(22)	76.5	69.6
	79	(24)	68.5	63.0
	85	(26)	63.5	57.6
	92	(28)	58	53.0
157 ft (48 m)	23	(7)	255	231
	26	(8)	236	212
	30	(9)	211	194
	33	(10)	190	173
	36	(11)	170	154
	40	(12)	150	139
	46	(14)	127.5	116
177 ft (54 m)	53	(16)	108.5	99.3
	59	(18)	95.4	86.6
	66	(20)	84	76.7
	72	(22)	75.5	68.6
	79	(24)	68	62.0
	85	(26)	62.5	56.5
	92	(28)	57	51.8
197 ft (60 m)	98	(30)	53	47.8
	26	(8)	218	198
	30	(9)	204	185
	33	(10)	188	172
	36	(11)	168.8	153
	40	(12)	148.5	138
	46	(14)	126.5	115
216 ft (66 m)	53	(16)	106.5	98.6
	59	(18)	94.5	85.9
	66	(20)	83	75.9
	72	(22)	75	67.8
	79	(24)	67	61.2
	85	(26)	61	55.7
	92	(28)	56	51.0
236 ft (72 m)	98	(30)	51.5	46.9
	110	(34)	44.5	39.6
	125	(38)	37.5	34.0
	30	(9)	194	176
	33	(10)	181	164
	36	(11)	165.2	150
	40	(12)	149	138
256 ft (78 m)	46	(14)	126.5	115
	53	(16)	106.5	97.8
	59	(18)	93.8	85.1
	66	(20)	82.5	75.1
	72	(22)	74	67.0
	79	(24)	66	60.3
	85	(26)	60.5	54.8
276 ft (84 m)	92	(28)	55	50.1
	98	(30)	51	46.0
	110	(34)	43.5	38.8
	125	(38)	36	33.1
	140	(42)	30.5	28.7
	33	(10)	145.5	132
	36	(11)	139	126
40	(12)	132	121	
295 ft (90 m)	46	(14)	120	109
	53	(16)	104.5	96.4
	59	(18)	92	83.7
	66	(20)	80.5	73.7
	72	(22)	72.3	65.6
	79	(24)	64.8	59.0
	85	(26)	59	53.4
336 ft (102 m)	92	(28)	53.5	48.7
	98	(30)	49.5	44.6
	110	(34)	42	37.7
	125	(38)	34.8	31.8
	140	(42)	29	27.3
	150	(46)	26.4	23.8
	165	(50)	22.5	20.9
366 ft (111 m)	180	(54)	20	18.6
	33	(10)	119	108
	36	(11)	112.5	102
	40	(12)	107	98.0
	46	(14)	100.5	91.5
	53	(16)	95	86.8
	59	(18)	91	82.5
396 ft (120 m)	66	(20)	80	73.0
	72	(22)	71.5	64.9
	79	(24)	64	58.2
	85	(26)	58.2	52.7
	92	(28)	52.8	47.9
	98	(30)	48.5	43.8
	110	(34)	41.2	37.0
426 ft (129 m)	125	(38)	34	31.2
	140	(42)	29	26.7
	150	(46)	26	23.1
	165	(50)	21.8	20.1
	180	(54)	19	17.8
	190	(58)	17.5	15.8
	33	(10)	97	88.0
456 ft (138 m)	36	(11)	93.6	85.0
	40	(12)	91.3	83.0
	46	(14)	85.9	78.0
	53	(16)	81	73.8
	59	(18)	77	69.8
	66	(20)	71.5	66.1
	72	(22)	69.2	62.8
486 ft (147 m)	79	(24)	63.5	57.5
	85	(26)	57.5	51.9
	92	(28)	52	47.2
	98	(30)	47.5	43.1
	110	(34)	41	36.4
	125	(38)	33.5	30.6
	140	(42)	28	26.0
516 ft (156 m)	150	(46)	25	22.4
	165	(50)	21.3	19.5
	180	(54)	18	17.0
	190	(58)	16.5	15.0
	205	(62)	14.5	13.3
	33	(10)	81.5	74.0
	36	(11)	78.3	71.0
40	(12)	75.5	69.0	
546 ft (166 m)	46	(14)	70.8	64.3
	53	(16)	55.7	60.0
	59	(18)	62.3	56.5
	66	(20)	58	53.1
	72	(22)	55.1	50.0
	79	(24)	51.7	47.1
	85	(26)	49.2	44.5
576 ft (175 m)	92	(28)	46.3	42.1
	98	(30)	44	39.9
	110	(34)	39.5	35.6
	125	(38)	33	30.2
	140	(42)	27.5	25.6
	150	(46)	24.5	22.0
	165	(50)	20.5	19.0
606 ft (184 m)	180	(54)	17.5	16.6
	190	(58)	16	14.5
	205	(62)	13.8	12.8
	220	(66)	12	11.3
	230	(70)	11	10.0
	36	(11)	66.2	60.0
	40	(12)	62.5	57.0
46	(14)	58	52.8	
636 ft (193 m)	53	(16)	53.8	49.0
	59	(18)	50.1	45.5
	66	(20)	46.8	42.5
	72	(22)	44	39.9
	79	(24)	41	37.5
	85	(26)	38.8	35.2
	92	(28)	36.6	33.2
666 ft (201 m)	98	(30)	34.8	31.4
	110	(34)	31	28.0
	125	(38)	27.8	25.3
	140	(42)	24.5	22.7
	150	(46)	22.7	20.5
	165	(50)	20.3	18.5
	180	(54)	17	16.0
696 ft (211 m)	190	(58)	15.3	13.9
	205	(62)	13	12.1
	220	(66)	11.5	10.6
	230	(70)	10.2	9.3
	36	(11)	58.4	53.0
	40	(12)	54.2	50.0
	46	(14)	50.7	46.0
726 ft (221 m)	53	(16)	46	42.0
	59	(18)	42.4	38.5
	66	(20)	39	35.6
	72	(22)	36.7	33.3
	79	(24)	34	31.0
	85	(26)	32	28.8
	92	(28)	29.5	26.9
756 ft (229 m)	98	(30)	28	25.0
	110	(34)	24.8	22.0
	125	(38)	21.5	19.5
	140	(42)	18.2	17.1
	150	(46)	17	15.1
	165	(50)	15.6	13.7
	180	(54)	13	12.2
786 ft (239 m)	190	(58)	11.7	10.6
	205	(62)	10.1	9.4
	220	(66)	8.5	8.1
	230	(70)	7.8	7.1

Boom	Radius		85%	
	ft	m	tons	t
39 ft (12 m)	20	(6)	308	280
	23	(7)	275	250
	26	(8)	253	226
	30	(9)	215	199
	33	(10)	193	177
	36	(11)	176.5	160
	40	(12)	156	144
59 ft (18 m)	20	(6)	308	280
	23	(7)	275	250
	26	(8)	252	225
	30	(9)	213.5	197
	33	(10)	192	176
	36	(11)	174.2	158
	40	(12)	153.5	142
79 ft (24 m)	46	(14)	131	119
	53	(16)	112	103
	59	(18)	99	90.2
	23	(7)	275	250
	26	(8)	251.5	224
	30	(9)	212.5	196
	33	(10)	191	175
98 ft (30 m)	36	(11)	172	156
	40	(12)	153	141
	46	(14)	130	118
	53	(16)	110	101
	59	(18)	98	88.8
	66	(20)	88.5	78.9
	72	(22)	78	70.9
118 ft (36 m)	23	(7)	275	250
	26	(8)	249	223
	30	(9)	211	195
	33	(10)	189	174
	36	(11)	171	155
	40	(12)	152	140
	46	(14)	129	117
138 ft (42 m)	53	(16)	108.5	100
	59	(18)	96.5	87.5
	66	(20)	84.5	77.6
	72	(22)	76.5	69.6
	79	(24)	68.5	63.0
	85	(26)	63.5	57.6
	92	(28)	58	53.0
157 ft (48 m)	23	(7)	255	231
	26	(8)	236	212
	30	(9)	211	194
	33	(10)	190	173
	36	(11)	170	154
	40	(12)	150	139
	46	(14)	127.5	116
177 ft (54 m)	53	(16)	108.5	99.3
	59	(18)	95.4	86.6
	66	(20)	84	76.7
	72	(22)	75.5	68.6
	79	(24)	68	62.0
	85	(26)	62.5	56.5
	92	(28)	57	51.8
1				

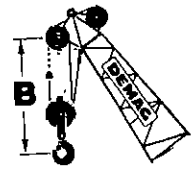
Lifting Capacities on Luffing Jib Boom, with Outriggers, over Ends and Sides (360°)

Main Boom	Radius	Length of Jib Boom																			
		59 ft (18 m)		79 ft (24 m)		98 ft (30 m)		118 ft (36 m)		138 ft (42 m)		158 ft (48 m)		177 ft (54 m)		197 ft (60 m)		217 ft (66 m)			
		ft	m	tons	t	tons	t	tons	t	tons	t	tons	t	tons	t	tons	t	tons	t	tons	t
59 ft (18 m)	39 (12)	110	100	107.1	97.4	87.3	79.4	—	—	—	—	—	—	—	—	—	—	—	—	—	—
	46 (14)	110	100	101.8	92.6	84	76.4	64.4	58.6	—	—	—	—	—	—	—	—	—	—	—	—
	53 (16)	91.3	83.0	91.6	83.3	80.5	73.2	62.7	57.0	49.9	45.4	—	—	—	—	—	—	—	—	—	—
	59 (18)	77.7	70.7	77.8	70.8	77.5	70.5	60.3	54.9	49.1	44.7	36.0	32.8	—	—	—	—	—	—	—	—
	66 (20)	67.4	61.3	67.5	61.4	67.3	61.2	58	52.8	48.4	44.0	35.0	31.9	25.5	23.2	22.4	20.4	—	—	—	—
	72 (22)	—	—	59.6	54.2	59.2	53.9	55.8	50.8	47.5	43.2	34.1	31.0	24.8	22.6	24.2	22.0	20.4	18.6	18.0	16.4
	79 (24)	—	—	53.1	48.3	52.9	48.1	47.4	43.1	45.7	41.6	33.1	30.1	24.2	22.0	23.4	21.4	19.5	17.8	17.1	15.6
	85 (26)	—	—	47.8	43.5	47.7	43.4	47.4	43.1	42.4	38.6	31.4	28.6	22.8	20.8	23.4	21.4	18.7	17.0	16.0	14.6
	92 (28)	—	—	—	—	43.3	39.4	43	39.1	39.3	35.8	38.8	35.3	30.3	27.6	22.3	20.3	17.7	16.1	15.1	13.8
	98 (30)	—	—	—	—	39.3	36.1	39.3	35.8	38.8	35.3	30.3	27.6	22.3	20.3	17.7	16.1	15.1	13.8	12.4	11.2
	112 (34)	—	—	—	—	—	—	33.4	30.4	33	30.0	29.3	26.7	21.3	19.4	16.7	15.2	13.6	12.3	11.2	10.3
	125 (38)	—	—	—	—	—	—	28.9	26.3	28.4	25.9	28.0	25.5	20.3	18.5	15.7	14.3	12.3	11.0	9.4	8.6
	138 (42)	—	—	—	—	—	—	—	—	24.8	22.6	24.5	22.3	19.3	17.6	14.7	13.4	11.3	10.3	8.4	7.7
	151 (46)	—	—	—	—	—	—	—	—	—	—	21.6	19.7	18.3	16.7	13.9	12.7	10.3	9.4	8.2	7.4
	164 (50)	—	—	—	—	—	—	—	—	—	—	19.2	17.5	17.3	15.8	12.4	11.3	9.0	8.2	7.4	6.6
177 (54)	—	—	—	—	—	—	—	—	—	—	—	—	16.5	15.0	11.6	10.6	8.1	7.4	6.6	5.8	
190 (58)	—	—	—	—	—	—	—	—	—	—	—	—	—	—	—	—	—	—	—	—	
79 ft (24 m)	33 (10)	110	100	—	—	—	—	—	—	—	—	—	—	—	—	—	—	—	—	—	—
	39 (12)	110	100	98	89.1	—	—	—	—	—	—	—	—	—	—	—	—	—	—	—	—
	46 (14)	106.7	97.0	91.9	83.6	77.8	70.6	60.7	55.2	47.8	43.0	—	—	—	—	—	—	—	—	—	—
	53 (16)	92.9	84.5	86.3	78.5	73.9	67.2	59.0	53.7	46.8	42.6	35.2	32.0	—	—	—	—	—	—	—	—
	59 (18)	78.9	71.8	81.0	73.7	70.6	64.2	57.4	52.2	46.3	42.1	34.6	31.5	25.8	23.5	21.8	19.9	17.7	16.1	14.4	12.8
	66 (20)	68.6	62.4	70.8	64.4	67.3	61.2	55.7	50.7	45.8	41.7	33.7	30.7	25.1	22.9	20.5	18.7	17.0	15.5	14.1	12.6
	72 (22)	—	—	62.4	56.8	62.9	57.3	54.2	49.3	45.3	41.2	33.0	30.0	24.6	22.4	20.5	18.7	17.0	15.5	14.1	12.6
	79 (24)	—	—	55.8	50.8	55.9	51.1	52.0	47.3	45.8	41.7	33.7	30.7	24.6	22.4	20.5	18.7	17.0	15.5	14.1	12.6
	85 (26)	—	—	50.4	45.9	50.3	46.0	49.8	45.7	44.0	40.1	31.4	28.6	23.5	21.4	19.2	17.5	15.8	14.3	12.8	11.3
	92 (28)	—	—	—	—	45.7	41.8	45.2	41.5	40.7	37.5	30.6	27.9	22.8	20.8	18.5	16.9	15.2	13.6	12.3	11.2
	98 (30)	—	—	—	—	41.9	38.2	41.2	38.0	34.5	31.8	29.2	26.6	21.7	19.8	17.3	15.8	13.5	12.3	11.2	10.3
	112 (34)	—	—	—	—	—	—	35.2	32.3	34.5	31.8	27.7	25.3	20.5	18.7	16.1	14.7	12.3	11.2	10.3	9.4
	125 (38)	—	—	—	—	—	—	30.6	27.8	29.9	27.5	25.8	23.7	19.5	17.8	14.9	13.6	11.3	10.3	9.4	8.4
	138 (42)	—	—	—	—	—	—	—	—	26.4	24.0	23.1	20.9	18.4	16.8	13.9	12.6	10.2	9.3	8.4	7.7
	151 (46)	—	—	—	—	—	—	—	—	—	—	20.7	18.6	17.3	15.8	12.1	11.0	8.4	7.7	7.0	6.5
164 (50)	—	—	—	—	—	—	—	—	—	—	—	—	16.5	15.0	11.4	10.4	7.7	7.0	6.5	5.8	
177 (54)	—	—	—	—	—	—	—	—	—	—	—	—	—	—	10.6	9.7	7.1	6.5	5.8	5.1	
190 (58)	—	—	—	—	—	—	—	—	—	—	—	—	—	—	—	—	—	—	—	—	
98 ft (30 m)	33 (10)	110	100	—	—	—	—	—	—	—	—	—	—	—	—	—	—	—	—	—	—
	39 (12)	103.5	94.1	90.2	82.0	71.8	65.3	56.6	51.5	—	—	—	—	—	—	—	—	—	—	—	—
	46 (14)	97.7	89.9	85.1	77.4	68.7	62.5	55.3	50.3	44.1	40.1	—	—	—	—	—	—	—	—	—	—
	53 (16)	92.9	84.5	80.0	72.8	65.7	59.8	54.0	49.1	43.7	39.8	33.8	30.8	25.2	23.2	21.8	19.9	17.7	16.1	14.4	12.8
	59 (18)	80.3	73.0	75.3	68.6	63.0	57.3	52.5	47.8	43.3	39.4	33.3	30.3	24.9	22.7	20.1	18.3	16.5	15.0	13.5	12.0
	66 (20)	69.6	63.3	71.6	65.1	60.3	54.9	51.1	46.5	42.9	39.0	32.5	29.9	24.3	22.1	20.4	18.3	16.5	15.0	13.5	12.0
	72 (22)	—	—	63.4	57.5	60.3	54.9	51.1	46.5	42.9	39.0	32.5	29.9	24.3	22.1	20.4	18.3	16.5	15.0	13.5	12.0
	79 (24)	—	—	56.4	51.3	55.8	52.1	49.7	45.2	42.3	38.5	31.9	29.0	23.7	21.6	19.1	17.7	15.9	14.5	13.0	11.5
	85 (26)	—	—	50.9	46.3	50.2	47.0	48.1	43.8	41.9	38.1	31.2	28.4	23.2	21.2	18.9	17.2	15.4	14.0	12.5	11.0
	92 (28)	—	—	—	—	45.6	42.7	45.2	42.4	41.3	37.6	30.5	27.8	22.7	20.7	18.3	16.7	14.6	13.3	11.8	10.3
	98 (30)	—	—	—	—	41.8	39.1	41.2	39.3	40.7	37.2	28.6	26.0	21.6	19.7	17.1	15.6	13.5	12.3	11.2	10.3
	112 (34)	—	—	—	—	—	—	35.2	33.5	34.5	33.0	27.2	24.8	20.5	18.7	16.0	14.6	12.3	11.2	10.3	9.4
	125 (38)	—	—	—	—	—	—	30.5	29.1	29.9	28.5	27.2	24.8	20.1	18.3	14.8	13.5	11.3	10.3	9.4	8.4
	138 (42)	—	—	—	—	—	—	—	—	26.4	24.9	25.9	23.8	18.5	16.9	13.8	12.6	10.3	9.4	8.4	7.7
	151 (46)	—	—	—	—	—	—	—	—	—	—	23.1	21.7	17.4	15.9	12.9	11.8	9.3	8.5	7.7	7.0
164 (50)	—	—	—	—	—	—	—	—	—	—	20.7	19.3	16.5	15.0	12.2	11.1	8.4	7.7	7.0	6.5	
177 (54)	—	—	—	—	—	—	—	—	—	—	—	—	16.5	15.0	11.4	10.4	7.7	7.0	6.5	5.8	
190 (58)	—	—	—	—	—	—	—	—	—	—	—	—	—	—	10.7	9.8	7.1	6.5	5.8	5.1	
203 (62)	—	—	—	—	—	—	—	—	—	—	—	—	—	—	—	—	—	—	—	—	
118 ft (36 m)	33 (10)	99.6	90.6	—	—	—	—	—	—	—	—	—	—	—	—	—	—	—	—	—	—
	39 (12)	95.3	86.7	83.2	75.7	66.0	60.0	—	—	—	—	—	—	—	—	—	—	—	—	—	—
	46 (14)	90.5	82.3	78.2	71.7	63.6	57.9	51.5	46.9	41.3	37.6	—	—	—	—	—	—	—	—	—	—
	53 (16)	85.9	78.1	74.1	67.4	61.2	55.7	50.4	45.9	41.0	37.3	32.2	29.3	24.4	22.2	20.0	18.2	16.2	14.8	13.0	11.5
	59 (18)	81.6	74.2	70.4	64.0	58.9	53.6	49.2	44.8	40.7	37.0	31.6	28.8	24.4	22.2	20.0	18.2	16.2	14.8	13.0	11.5
	66 (20)	70.6	64.2	66.9	60.9	58.9	53.6	49.2	44.8	40.7	37.0	31.6	28.8	24.4	22.2	20.0	18.2	16.2	14.8	13.0	11.5
	72 (22)	62.1	56.5	63.2	58.1	56.8	51.7	47.9	43.6	40.1	36.5	31.1	28.3	24.4	22.2						

Lifting Capacities on Luffing Jib Boom, with Outriggers, over Ends and Sides (360°)

Main Boom	Radius	Length of Jib Boom																	
		59 ft (18 m)		79 ft (24 m)		98 ft (30 m)		118 ft (36 m)		138 ft (42 m)		158 ft (48 m)		177 ft (54 m)		197 ft (60 m)		217 ft (66 m)	
		ft	m	tons	t	tons	t	tons	t	tons	t	tons	t	tons	t	tons	t	tons	t
157 ft (48 m)	92 (28)	---	---	46.0	43.4	44.1	40.1	38.3	34.9	32.7	29.8	26.9	24.5	21.8	19.9	16.8	15.3	13.0	11.9
	98 (30)	---	---	---	---	41.5	39.0	37.5	34.1	32.3	29.4	26.6	24.2	21.4	19.5	16.5	15.0	12.5	11.4
	112 (34)	---	---	---	---	35.5	34.2	34.9	32.7	31.2	28.4	25.8	23.5	20.9	19.0	15.8	14.4	11.9	10.9
	125 (38)	---	---	---	---	---	---	30.3	29.7	29.8	27.5	25.0	22.8	20.1	18.3	15.1	13.8	11.3	10.3
	138 (42)	---	---	---	---	---	---	---	---	26.2	25.8	24.0	21.9	19.2	17.5	14.5	13.2	10.6	9.7
	151 (46)	---	---	---	---	---	---	---	---	---	---	23.1	21.1	18.3	16.7	13.7	12.5	10.0	9.1
	164 (50)	---	---	---	---	---	---	---	---	---	---	20.6	20.1	17.4	15.9	13.0	11.9	9.3	8.5
	177 (54)	---	---	---	---	---	---	---	---	---	---	---	---	16.5	15.0	12.3	11.2	8.6	7.9
	190 (58)	---	---	---	---	---	---	---	---	---	---	---	---	---	---	11.5	10.5	8.0	7.3
	203 (62)	---	---	---	---	---	---	---	---	---	---	---	---	---	---	10.7	9.8	7.3	6.7
217 (66)	---	---	---	---	---	---	---	---	---	---	---	---	---	---	---	---	6.7	6.1	
177 ft (54 m)	39 (12)	---	---	62.0	58.4	---	---	---	---	---	---	---	---	---	---	---	---	---	---
	46 (14)	---	---	60.1	54.7	50.0	45.5	---	---	---	---	---	---	---	---	---	---	---	---
	53 (16)	---	---	58.4	53.1	48.9	44.5	40.9	37.2	---	---	---	---	---	---	---	---	---	---
	59 (18)	---	---	56.6	51.5	47.8	43.5	40.1	36.5	32.2	29.3	26.5	24.1	---	---	---	---	---	---
	66 (20)	---	---	54.8	49.9	46.8	42.6	39.4	35.9	31.7	28.9	26.2	23.9	21.1	19.2	---	---	---	---
	72 (22)	---	---	53.1	48.3	45.7	41.6	38.8	35.3	31.4	28.6	25.9	23.6	20.9	19.0	16.9	15.4	---	---
	79 (24)	---	---	51.3	46.7	44.5	40.5	38.0	34.6	31.2	28.4	25.6	23.3	20.6	18.8	16.7	15.2	13.5	12.3
	85 (26)	---	---	49.6	45.1	43.6	39.7	37.2	33.9	30.8	28.0	25.4	23.1	20.4	18.6	16.6	15.1	13.3	12.1
	92 (28)	---	---	45.9	40.9	42.4	38.6	36.6	33.3	30.4	27.7	25.1	22.9	20.3	18.5	16.3	14.9	12.9	11.8
	98 (30)	---	---	---	---	41.2	37.5	35.9	32.7	30.1	27.4	24.8	22.6	20.0	18.2	16.1	14.7	12.6	11.5
	112 (34)	---	---	---	---	35.4	33.7	34.9	30.2	29.2	26.6	24.3	22.1	19.8	18.0	15.7	14.3	12.3	11.2
	125 (38)	---	---	---	---	---	---	30.3	28.7	28.3	25.8	23.7	21.6	19.3	17.6	15.2	13.9	11.7	10.7
	138 (42)	---	---	---	---	---	---	---	---	26.2	24.1	23.1	21.0	19.0	17.3	14.7	13.4	11.1	10.1
	151 (46)	---	---	---	---	---	---	---	---	---	---	21.8	19.9	18.3	16.7	14.1	12.9	10.4	9.5
164 (50)	---	---	---	---	---	---	---	---	---	---	20.6	18.8	17.8	16.2	13.6	12.4	9.9	9.0	
177 (54)	---	---	---	---	---	---	---	---	---	---	---	---	17.0	15.6	12.9	11.8	9.2	8.4	
190 (58)	---	---	---	---	---	---	---	---	---	---	---	---	---	---	12.2	11.1	8.5	7.8	
203 (62)	---	---	---	---	---	---	---	---	---	---	---	---	---	---	11.4	10.4	7.9	7.2	
217 (66)	---	---	---	---	---	---	---	---	---	---	---	---	---	---	---	---	7.2	6.6	
197 ft (60 m)	46 (14)	---	---	---	---	42.7	38.9	---	---	---	---	---	---	---	---	---	---	---	---
	53 (16)	---	---	---	---	41.8	38.0	35.6	32.4	---	---	---	---	---	---	---	---	---	---
	59 (18)	---	---	---	---	40.8	37.1	34.8	31.7	28.6	26.0	---	---	---	---	---	---	---	---
	66 (20)	---	---	---	---	39.8	36.2	34.1	31.0	28.2	25.7	23.6	21.5	19.2	17.5	---	---	---	---
	72 (22)	---	---	---	---	38.9	35.4	33.4	30.4	27.8	25.3	23.3	21.2	19.1	17.4	15.2	13.9	---	---
	79 (24)	---	---	---	---	37.9	34.5	32.7	29.8	27.3	24.9	22.9	20.9	19.0	17.3	15.1	13.8	11.9	10.9
	85 (26)	---	---	---	---	36.7	33.4	32.1	29.2	26.9	24.5	22.7	20.7	18.9	17.2	15.0	13.7	11.7	10.7
	92 (28)	---	---	---	---	35.6	32.4	31.4	28.6	26.6	24.2	22.5	20.5	18.8	17.1	14.9	13.6	11.5	10.5
	98 (30)	---	---	---	---	34.6	31.5	30.8	28.0	26.0	23.7	22.2	20.2	18.5	16.9	14.8	13.5	11.4	10.4
	112 (34)	---	---	---	---	32.2	29.3	29.2	26.6	25.3	23.0	21.7	19.8	18.3	16.7	14.6	13.3	11.0	10.0
	125 (38)	---	---	---	---	---	---	27.8	25.3	24.3	22.1	21.1	19.2	17.9	16.3	14.4	13.1	10.6	9.7
	138 (42)	---	---	---	---	---	---	---	---	23.1	21.0	20.4	18.6	17.3	15.8	13.9	12.7	10.1	9.2
	151 (46)	---	---	---	---	---	---	---	---	21.8	19.9	19.5	17.8	16.8	15.3	13.5	12.3	9.6	8.8
	164 (50)	---	---	---	---	---	---	---	---	---	---	18.7	17.0	16.1	14.7	12.8	11.7	9.2	8.4
177 (54)	---	---	---	---	---	---	---	---	---	---	---	---	15.2	13.9	12.2	11.1	8.6	7.9	
190 (58)	---	---	---	---	---	---	---	---	---	---	---	---	---	---	11.4	10.4	8.2	7.5	
203 (62)	---	---	---	---	---	---	---	---	---	---	---	---	---	---	10.4	9.5	7.4	6.8	
217 (66)	---	---	---	---	---	---	---	---	---	---	---	---	---	---	---	---	6.8	6.2	
216 ft (66 m)	46 (14)	---	---	---	---	37.7	34.3	---	---	---	---	---	---	---	---	---	---	---	---
	53 (16)	---	---	---	---	36.9	33.6	31.3	28.5	---	---	---	---	---	---	---	---	---	---
	59 (18)	---	---	---	---	36.1	32.9	30.8	28.0	25.5	23.2	---	---	---	---	---	---	---	---
	66 (20)	---	---	---	---	35.3	32.1	30.1	27.4	25.1	22.9	21.1	19.2	17.4	15.9	---	---	---	---
	72 (22)	---	---	---	---	34.4	31.2	29.4	26.8	24.8	22.6	21.0	19.1	17.3	15.8	13.8	12.6	---	---
	79 (24)	---	---	---	---	33.5	30.5	28.8	26.2	24.5	22.3	20.9	19.0	17.2	15.7	13.7	12.5	11.0	10.0
	85 (26)	---	---	---	---	32.6	29.7	28.2	25.7	24.2	22.0	20.7	18.9	17.2	15.7	13.6	12.4	10.8	9.9
	92 (28)	---	---	---	---	31.7	28.9	27.6	25.1	23.7	21.6	20.5	18.7	17.1	15.6	13.5	12.3	10.7	9.8
	98 (30)	---	---	---	---	30.8	28.0	27.0	24.6	23.4	21.3	20.3	18.5	17.0	15.5	13.3	12.1	10.6	9.7
	112 (34)	---	---	---	---	28.4	25.9	25.8	23.5	22.6	20.6	19.8	18.0	16.8	15.3	13.0	11.9	10.2	9.3
	125 (38)	---	---	---	---	---	---	24.5	22.3	21.5	19.6	19.3	17.6	16.6	15.0	12.9	11.8	9.9	9.0
	138 (42)	---	---	---	---	---	---	---	---	20.3	18.5	18.7	17.0	16.0	14.6	12.7	11.6	9.5	8.7
	151 (46)	---	---	---	---	---	---	---	---	19.1	17.4	17.9	16.3	15.5	14.1	12.4	11.3	9.2	8.4
	164 (50)	---	---	---	---	---	---	---	---	---	---	17.1	15.6	14.9	13.6	12.1	11.0	8.9	8.1
177 (54)	---	---	---	---	---	---	---	---	---	---	---	---	14.1	12.9	11.5	10.5	8.5	7.8	
190 (58)	---	---	---	---	---	---	---	---	---	---	---	---	---	---	10.8	9.9	8.1	7.4	
203 (62)	---	---	---	---	---	---	---	---	---	---	---	---	---	---	10.0	9.1	7.4	6.8	
217 (66)	---	---	---	---	---	---	---	---	---	---	---	---	---	---	---	---	6.8	6.2	
236 ft (72 m)	46 (14)	---	---	---	---	32.1	29.2	---	---	---	---	---	---	---	---	---	---	---	---
	53 (16)	---	---	---	---	31.4	28.6	27.3	24.9	---	---	---	---	---	---	---	---	---	---
	59 (18)	---	---	---	---	30.9	28.1	26.9	24.5	22.6	20.6	---	---	---	---	---	---	---	---
	66 (20)	---	---	---	---	30.2	27.5	26.5	24.1	22.3	20.3	18.4	16.8	---	---	---	---	---	---
	72 (22)	---	---	---	---	29.5	26.9	26.0	23.7	22.1	20.1	18.3	16.7	15.1	13.8	12.3	11.2	---	---
	79 (24)	---	---	---	---	28.9	26.3	25.8	23.3	21.8	19.9	18.2	16.6	15.1	13.8	12.3	11.2	9.7	8.9
	85 (26)	---	---	---	---	28.2	25.7	25.1	22.9	21.5	19.6	18.1	16.5	15.0	13.7	12.2	11.1	9.7	

Hook-Block/Crane Hook



Number of Sheaves	Capacity	Weight	„B“
12	308 tons (280 t) 85% 275 tons (250 t) 75%	8.378 lb. (3800 kg)	10 ft. (3,20 m)
6	138 tons (125 t) 85% 110 tons (100 t) 75%	5.291 lb. (2400 kg)	8 ft. (2.50 m)
1	35 tons (32 t) 85% 27 tons (25 t) 75%	2.557 lb. (1160 kg)	6 ft. (2.00 m)

Subject to change without notice

AMERICAN DEMAG CORPORATION Construction Machinery Division

Chicago: 903 Commerce Drive
Oak Brook, Ill. 60521
Tel.: 312-920-9700
Telex: 72-1577

New York: 450 Park Avenue
New York, N.Y. 10022
Tel.: 212-826-1440
Telex: 125-911

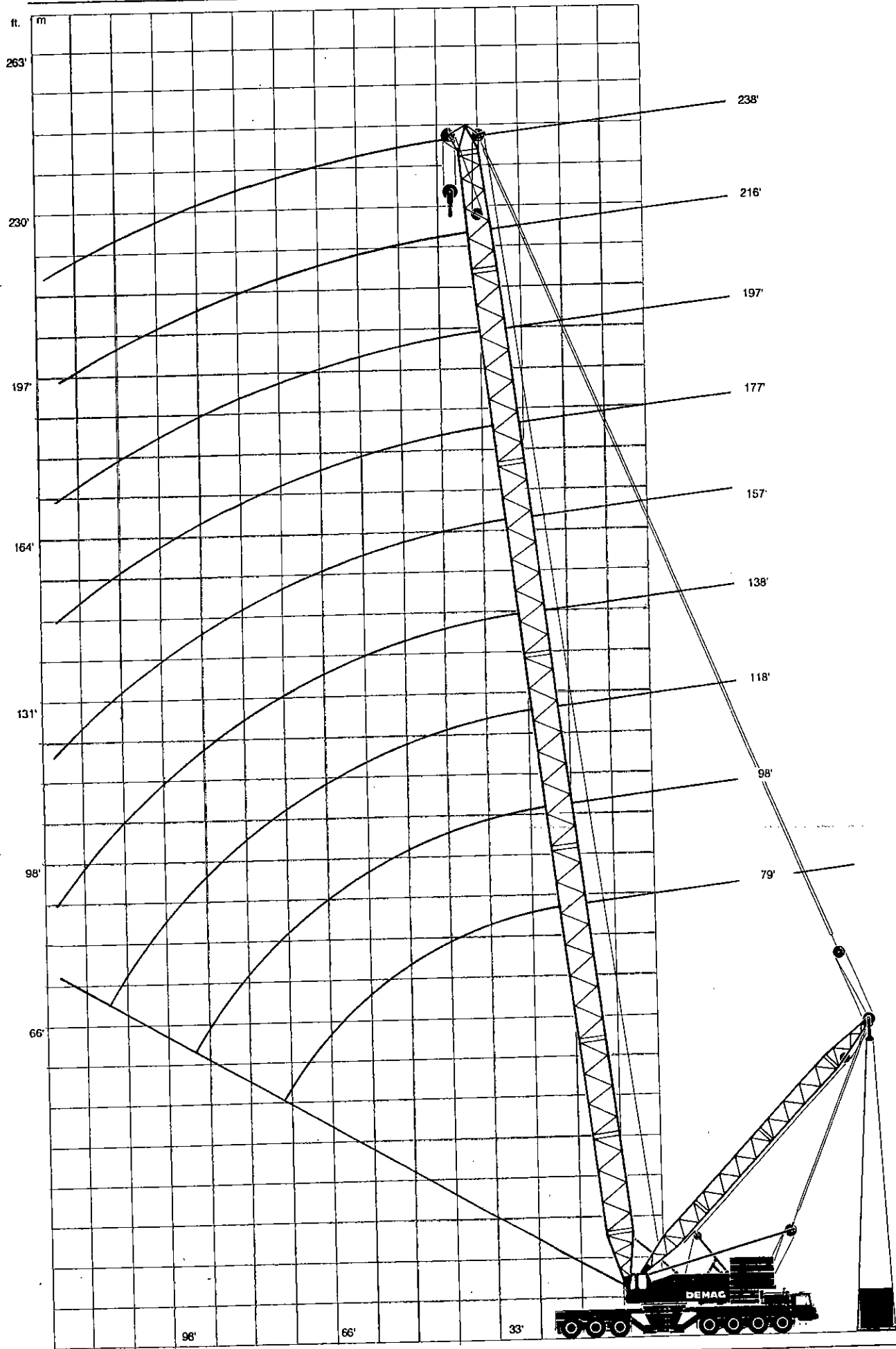
DEMAG TC-1200 SUPERLIFT

600 ton LOAD MOMENT CHART (12,661 foot-tons)

Superlift Attachment for DEMAG Model TC 1200 Crane



DEMAG
Baummaschinen



DEMAG TC-1200 SUPERLIFT 600 ton LOAD MOMENT CHART

Lifting Capacities (ton=2000#) on main Boom,
On 39'-4" x 39'-4" Outriggers, 360° Swing, 75% Ratings

Main Boom	Radius	SuperLift Counterweight (t)						Main Boom	Radius	SuperLift Counterweight (t)						
		0	55	88	110	132	165			0	55	88	110	132	165	
		tons	tons	tons	tons	tons	tons			tons	tons	tons	tons	tons	tons	tons
ft	ft	tons	tons	tons	tons	tons	tons	ft	ft	tons	tons	tons	tons	tons	tons	
79' with Heavy Duty Hammer Head	30	190	256	303	331	—	—	177'	30	168	—	—	—	—	—	
	31.5	178	243	287	315	347	386		33	163	—	—	—	—	—	
	33	169	232	271	299	331	362		40	132	156	—	—	—	—	
	40	137	187	221	244	258	296		46	110	150	—	—	—	—	
	46	115	161	187	203	221	236		53	94	130	146	—	—	—	
	53	99	132	158	170	185	204		59	82	116	131	—	—	—	
	59	86	117	136	146	159	—		66	72	104	114	—	—	—	
									72	64	93	101	—	—	—	—
									79	57	84	90	—	—	—	—
									85	53	76	84	—	—	—	—
79' with Std. Hammer Head	30	190	256	276	—	—	—	177'	85	53	76	84	—	—		
	33	169	232	276	—	—	—		92	47	70	76	—	—		
	40	137	185	221	238	258	—		98	44	64	70	—	—		
	46	115	154	185	202	221	237		110	36	55	61	—	—		
	53	99	131	158	170	185	204		125	30	49	54	—	—		
	59	86	117	136	146	159	—		140	25	42	47	—	—		
	66	76	104	121	—	—	—		150	22	36	44	—	—		
	72	68	93	108	—	—	—						—	—		
	96'	30	189	256	—	—	—		—	197'	33	143	—	—	—	—
		33	168	232	256	—	—		—		40	133	—	—	—	—
40		136	185	219	238	243	—	46	110		130	—	—	—		
46		114	153	185	202	221	—	53	94		125	—	—	—		
53		97	130	157	170	185	—	59	81		116	—	—	—		
59		85	117	135	—	—	—	66	71		104	—	—	—		
66		75	103	119	—	—	—	72	61		93	—	—	—		
72		67	93	110	—	—	—	79	55		84	—	—	—		
79		61	84	100	—	—	—	85	50		76	—	—	—		
85		55	76	90	—	—	—	92	46		70	—	—	—		
118'	30	189	237	—	—	—	—	216'	98	43	64	—	—	—		
	33	168	232	237	—	—	—		110	36	55	—	—	—		
	40	135	183	218	234	—	—		125	31	49	—	—	—		
	46	113	153	185	201	218	—		140	24	42	—	—	—		
	53	97	130	157	170	185	—		150	22	36	—	—	—		
	59	84	116	133	147	165	—		165	19	33	—	—	—		
	66	75	103	119	132	148	—					—	—	—		
	72	66	93	107	119	132	—		33	116	—	—	—	—		
	79	60	84	97	108	121	—		40	110	—	—	—	—		
	85	54	76	88	97	107	—		46	105	—	—	—	—		
138'	30	187	227	—	—	—	—	236'	53	93	99	—	—	—		
	33	167	222	224	—	—	—		59	81	95	—	—	—		
	40	133	182	217	—	—	—		66	71	90	—	—	—		
	46	113	152	185	196	210	—		72	61	86	—	—	—		
	53	96	130	157	168	181	—		79	55	81	—	—	—		
	59	83	116	132	146	164	—		85	49	75	—	—	—		
	66	74	103	118	130	147	—		92	46	68	—	—	—		
	72	64	93	105	117	131	—		98	42	63	—	—	—		
	79	58	84	95	106	121	—		110	35	53	—	—	—		
	85	53	76	87	96	107	—		125	30	45	—	—	—		
157'	30	177	206	—	—	—	—	236'	140	24	39	—	—	—		
	33	165	203	—	—	—	—		150	22	33	—	—	—		
	40	133	181	192	—	—	—		165	19	29	—	—	—		
	46	111	152	185	—	—	—					—	—	—		
	53	95	130	157	165	177	—		33	94	—	—	—	—		
	59	83	116	132	146	163	—		40	87	—	—	—	—		
	66	73	104	117	129	146	—		46	83	—	—	—	—		
	72	65	93	104	115	130	—		53	78	—	—	—	—		
	79	58	84	93	103	117	—		59	74	—	—	—	—		
	85	53	76	86	94	105	—		66	71	—	—	—	—		
92	49	70	78	87	97	—	72	61	66	—	—	—				
98	44	64	71	78	88	—	79	55	63	—	—	—				
110	38	55	62	—	—	—	85	49	60	—	—	—				
125	31	49	55	—	—	—	92	46	56	—	—	—				
140	27	42	49	—	—	—	98	42	53	—	—	—				

Only cranes providing an outrigger span of 39'-4" X 39'-4" can be equipped for superlift operation

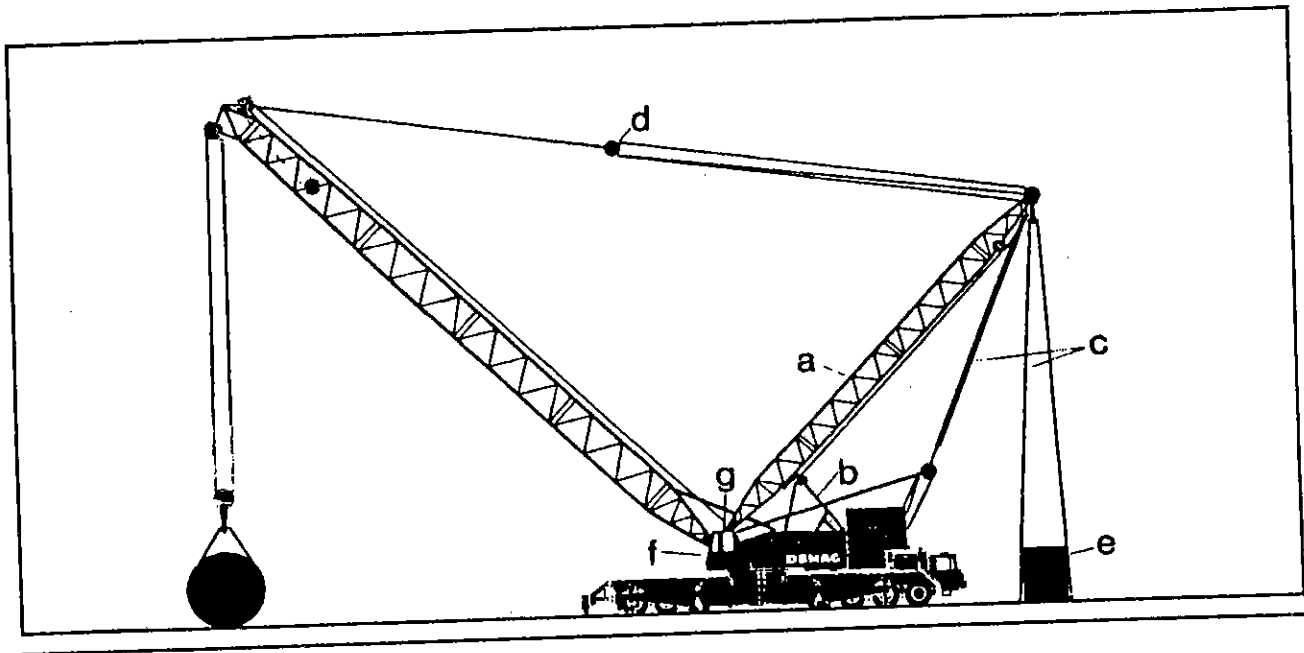
SUPERLIFT Attachment for the DEMAG TC-1200 Truck Crane

For applications where load moments in excess of 5426 foot-tons are encountered, the DEMAG TC 1200 Truck Crane can be equipped with a Superlift Attachment which permits load moments up to 12661 foot-tons. An increase of 233%, resulting in a 633 ton load moment chart at a 20' radius.

The performance benefits derived from the Superlift result from the fact that a heavier load is compensated by a corresponding counterweight. This causes the loads on the structural members of the crane, such as superstructure, slewing ring, undercarriage, and outriggers, to be applied centrally while relieving the boom assembly.

The additional counterweight is automatically lifted off the ground when attempting to pick up a load with the Superlift, so that the upper can be swung as desired. The Superlift Attachment consists of the following components which are readily mounted to our standard crane without major modifications:

- (a) Superlift Mast with head sheaves
- (b) Superlift Backstops
- (c) Counterweight Suspension Cables
- (d) Boom-Hoist Bridle
- (e) Additional Counterweight
- (f) Additional Hydraulic and Electric Controls
- (g) Conversion Parts to Overload Cut-Out



Subject to change without notice

DEMAG Baumaschinen
Zweigniederlassung der
Demag Aktiengesellschaft

Postfach 180180
Buscherhofstraße 10
4000 Düsseldorf 13
Telefon: (0211) 71091
Telex: 08 582 703

Niederlassungen:

Hamburg, Tel. (040) 670 1043
Hannover (Lehrte), Tel. (05132) 4081
Berlin, Tel. (030) 8 52 40 31
Essen, Tel. (0201) 4 00 11
Frankfurt (Maintal 1), Tel. (06181) 4 50 11
Bierbach, Tel. (0 68 42) 30 11
München, Tel. (0 89) 3 51 30 91

Vertragshändler:

Lingener Baumaschinen GmbH & Co. KG
Lingen/Ems, Tel. (05 91) 42 73

O. Sponsel & Co.
Bamberg, Tel. (09 51) 2 51 41
Nürnberg, Tel. (09 11) 30 10 05

Gebr. Hones GmbH
München, Tel. (0 71 50) 60 18
Krauchenwies, Tel. (0 75 76) 5 50